



An aerial, top-down view of a white boat's deck. A woman in a white bikini is lying on a large, cushioned lounge chair, looking towards the camera. The boat is on a deep blue ocean with visible whitecaps. The deck has a light-colored, textured surface with some darker accents.

IT DOES WHAT?

That's right, Seakeeper eliminates up to 95% of boat roll. Gone are the days of seasick guests, sea legs and spilled drinks. Seakeeper ensures every day on the boat is a comfortable one.

ELIMINATE BOAT



ROLL.

Azimut 51 Atlantis with a Seakeeper 6



SEAKEEPER

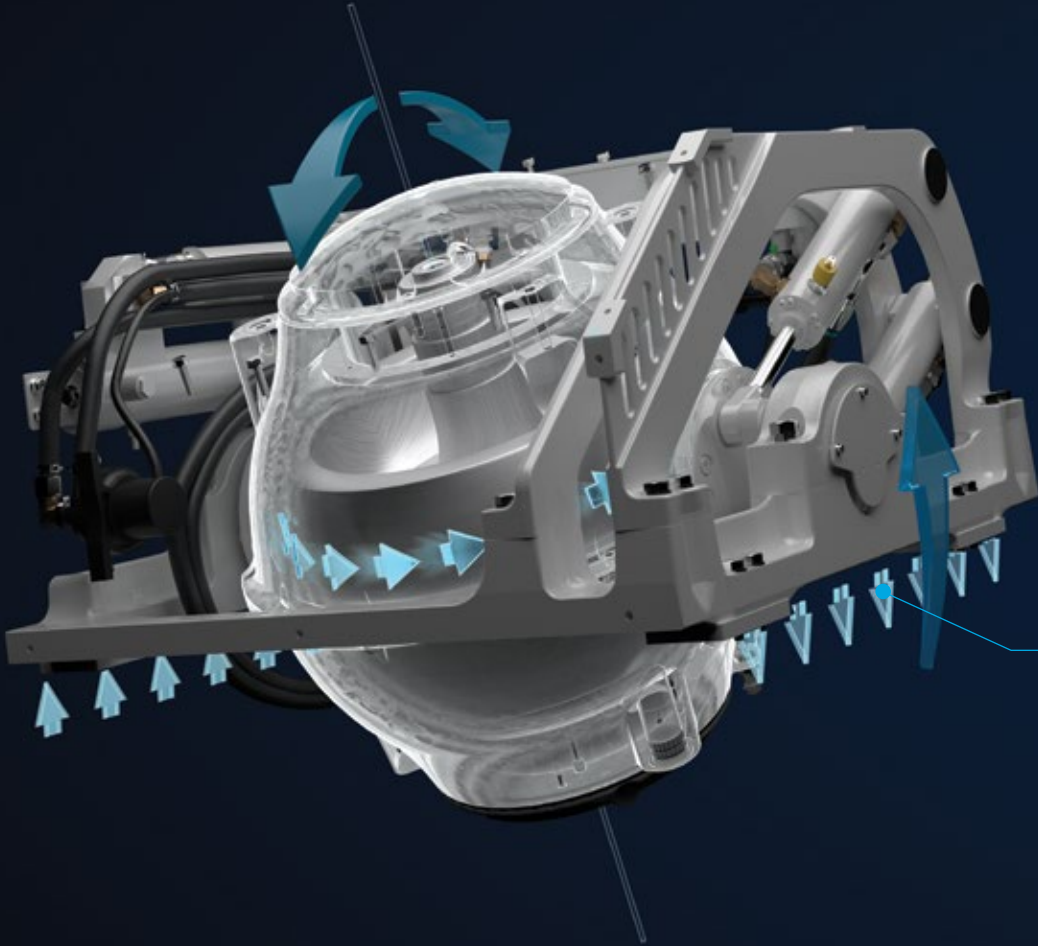
OFTEN IMITATED, NEVER DUPLICATED

We are marine motion control experts, and it's not just one of many things we do—it's the only thing we do.

We are focused solely on making everyone's time on the water safer and more enjoyable. Whether you have a small boat or a mega-yacht, Seakeeper is the only true stabilization choice.

HOW IT WORKS

Inside a vacuum encapsulation, a flywheel spins at speeds of up to 9,750 rpm. When the boat rolls, the sphere tilts fore and aft (precesses), producing a powerful gyroscopic force to port and starboard that counteracts the boat roll.



ANGULAR MOMENTUM

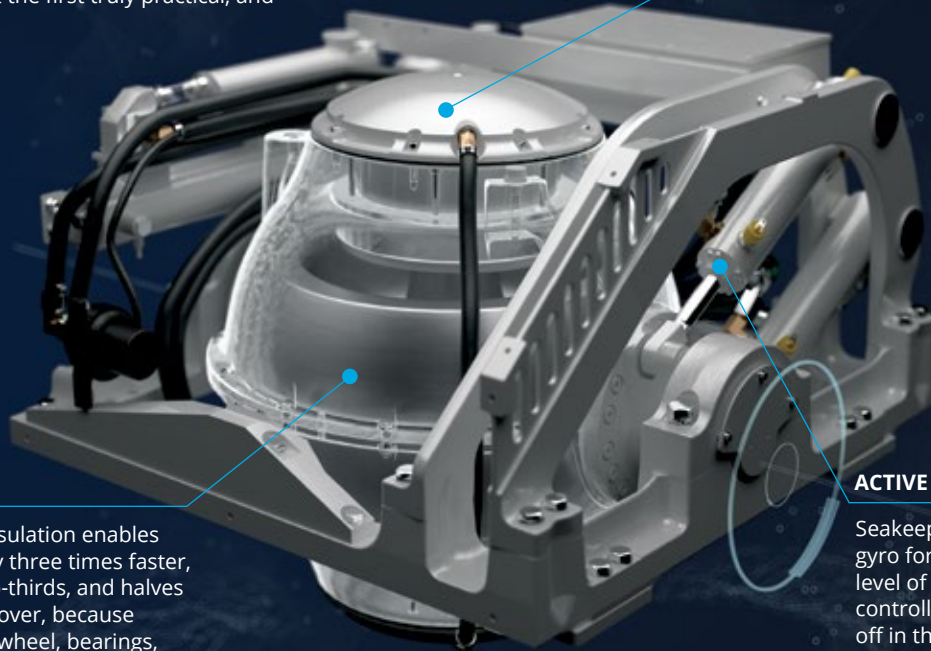
Angular momentum, measured in Newton-meter-seconds, or N-m-s, is the measuring stick for how much stabilizing power a gyroscope has. Greater angular momentum indicates a higher roll reduction potential. Think of angular momentum to a gyro, like horsepower to an engine.

BUILT TO PERFORM

The Seakeeper is designed to virtually eliminate boat roll on vessels 23 feet and up. It requires modest electrical power, has no outside appendages, and can be installed virtually anywhere on board. Its computerized control and vacuum technology make it the first truly practical, and only modern, anti-roll gyro.

INNOVATIVE COOLING SYSTEM

Patented cooling system enables the flywheel to spin at high speeds inside of the vacuum containment.




VACUUM SEALED

Seakeeper's vacuum encapsulation enables the flywheel to spin roughly three times faster, cuts flywheel weight by two-thirds, and halves power requirements. Moreover, because the critical components (flywheel, bearings, and motor) are sealed in a vacuum, they are isolated from the marine environment.

ACTIVE CONTROL

Seakeeper's active control optimizes gyro force, providing an unsurpassed level of performance. Unlike a passively controlled gyro, which must be turned off in the roughest conditions and/or at higher speeds, the Seakeeper is effective at all speeds and can be used in all sea conditions.



Tiara Yachts 34 LS
with a Seakeeper 2

REFITS

HAVE AN EXISTING BOAT?

If you're not in the market for a new boat, you can still have the latest technology available. With more than 4,000 refits under our belt, we can confidently say that most boats can be refit with a Seakeeper! They can fit anywhere there is available space, and don't need to be installed on the centerline.

NEW BUILD

BUYING A NEW BOAT?

As Seakeeper becomes a must-have item on all boats, more and more manufacturers are installing them at the factory every day. New boat owners now have the benefit of thoughtful installation right from the boat's initial design.



CAN WE STABILIZE ANY BOAT? HULL YEAH, WE CAN.

With a Seakeeper model for boats as small as 23 ft. and as big as 200+ ft., plus the ability to combine units for even more stabilization, Seakeeper is available for nearly every boat.



LEISURE

Kick back, enjoy the wind in your hair and shake up an evening cocktail—Seakeeper makes your cruise comfortable.



COMMERCIAL

What happens when your crew can safely spend more time on the water and go out when others can't? More success and more profit.



FISHING

From tournaments to family time, backing down on the big one or reeling in dinner, there's a Seakeeper for your center console or sportfish boat.



YACHT

Ultimate luxury deserves the best in stabilization. Your guests will notice there's something special about your yacht. And there's one for your tender, too.

AND JUST IN CASE YOU'RE WONDERING...



LIGHTWEIGHT

Seakeeper weighs a small fraction of the vessel displacement.



LOW POWER CONSUMPTION

Due to its vacuum encapsulation, Seakeeper requires minimal power. Select Seakeeper models even run off 12V DC power.



QUICK & SIMPLE INSTALL

Can be installed in as little as 1-3 weeks. For smaller boats, a unique leaning post design enables a refit to be done in a matter of days!



FLEXIBLE

It can be installed virtually anywhere on the boat and any combination of units can be used to reach targeted performance.



INCREASED RESALE VALUE

Boats with a Seakeeper resell faster, and for more money, than boats without.



INTERNAL

No external appendages and completely self-contained, which means no drag and no hull modifications.



NEVER TURN IT OFF

Thanks to the smart technology of active control, it can be used at rest and underway in all sea conditions.



QUIET

With all Seakeeper models operating between 68 and 75 dCB, you won't be bothered by any noise.

MORE STABILIZATION. SMALLER PACKAGE.

Our new models feature our latest innovations, making them the most efficient and most effective gyrostabilizers ever built in their size range.

ASYMMETRIC FLYWHEEL

An all-new flywheel design features a deeper, lower hemisphere, enabling the motor to be tucked inside the flywheel. This design reduces overall height and provides the most efficient flywheel shape to maximize performance per pound and footprint.

SINGLE CYLINDER BRAKE

The single-cylinder brake design saves space, weight, and enhances reliability by eliminating hoses and connections. It requires no annual service and incorporates redundant safety mechanisms.

ALL NEW

The latest features allow for faster installation, economical maintenance, and easier access.



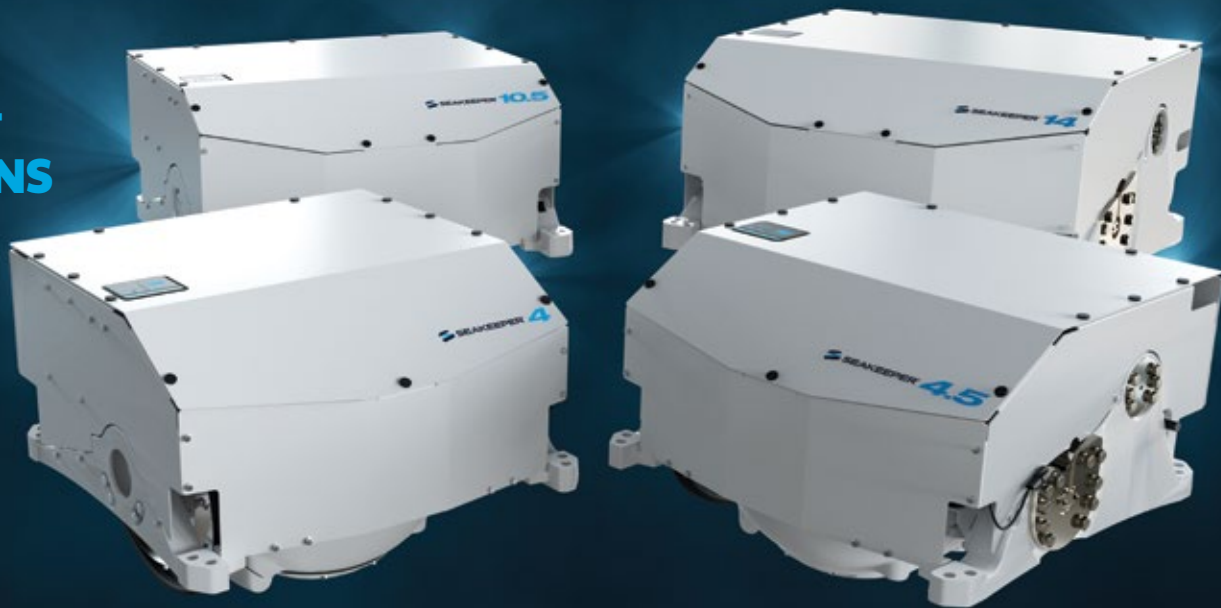
OUR LATEST INNOVATIONS

Seakeeper 4
for boats 38-44'

Seakeeper 4.5
for boats 40-46'

Seakeeper 10.5
for boats 50-62'

Seakeeper 14
for boats 55-68'



FIELD REPLACEABLE BEARINGS

Now with field replaceable bearings (FRB) on the Seakeeper 9 and above, lifecycle maintenance is simple and cost-effective.



CONTROL FROM HERE OR THE HELM

Mounted on the Seakeeper, the ConnectBox integrates with compatible onboard MFDs for display functionality.



INTUITIVE DASHBOARD DISPLAY

An intuitive operator interface allows you to simply turn it on and forget about it. There are no complex settings or adjustments for the operator. Seakeeper does all of this automatically, you simply enjoy. With the option to use our 5-inch display or integrate with your current electronics, make your helm, your own.





EXTREMELY SMALL WITH FLEXIBLE INSTALLATION OPTIONS

The Seakeeper weighs only a small fraction of the boat's displacement. It can be installed anywhere on the boat, including off centerline.

A Seakeeper 1 in a 26-foot center console is shown here, to scale.

An off-centerline Seakeeper 18 in a 65-foot sportfish is shown here, to scale.





**DO YOU GO OUT IN
THE TOUGH STUFF?**



GO OFFSHORE

WHEN OTHERS STAY IN, YOU GO OUT.

Durable enough to handle the extreme conditions faced offshore, Seakeeper provides added safety and comfort for crews of military, commercial, and offshore fishing vessels, extending time on the water when it's needed most.

A white Sportsman Open 262 boat is shown from a low angle, moving across the water. A man and a woman are sitting on the edge of the boat, smiling. The boat has a Seakeeper 1 stabilizer mounted on the transom. The sky is blue with some clouds, and the water is a deep blue. The boat's name 'SPORTSMAN' is visible on the side.

Sportsman Open 262 with a Seakeeper 1

STABILIZATION FOR SMALLER BOATS

From day one, our focus has been on making stabilization a reality for every boater. Now, boats as small as 23 feet (7 meters) can have the stabilizing power of Seakeeper.



SEAKEEPER 1 DECK MOUNT

The optional Seakeeper 1 Deck Mount Enclosure enables the Seakeeper 1 to be installed in a non-enclosed space.

SEAKEEPER SPECS



SEAKEEPER 1



SEAKEEPER 2



SEAKEEPER 3

Boat Size Range

~23-30' (7 - 9 meters)

~30-36' (9 - 11 meters)

~35-41' (10.5 - 12.5 meters)

Boat Weight

up to ~5.5 tons

up to ~8 tons

up to ~11 tons

Dimensions	22.9 L x 23.6 W x 15.9 H (inches) 0.582 L x 0.598 W x 0.403 H (meters)	25.5 L x 24.6 W x 20.4 H (inches) 0.648 L x 0.625 W x 0.518 (meters)	26.8 L x 27.0 W x 23.1 H (inches) 0.680 L x 0.688 W x 0.587 H (meters)
Weight	365 lbs (165 kg)	414 lbs (188 kg)	550 lbs (249 kg)
Max Rated Speed	9,750 RPM	9,000 RPM	8,450 RPM
Angular Momentum at Max Rated RPM	1,000 N-M-S	2,000 N-M-S	3,000 N-M-S
Anti-Rolling Torque at Max Rated RPM	2,620 N-M	5,249 N-M	7,853 N-M
Spool-up Time to Max Rated RPM*	35 minutes (9,750 RPM)	35 minutes (9,000 RPM)	50 minutes (8,450 RPM)
Spool-up Time to Stabilization*	18 minutes (7,310 RPM)	24 minutes (7,650 RPM)	36 minutes (7,185 RPM)
Spool-up Power	600 Watts Max @ 12 VDC	850 Watts Max @ 12 VDC	900 Watts Max @ 12 VDC
Operating Power*	225 - 600 Watts	278 - 850 Watts	400 - 900 Watts
DC Power Input	20 - 55 Amps @ 12 VDC	20 - 75 Amps @ 12 VDC	30 - 85 Amps @ 12 VDC
Control Power	N/A	125 Watts Max	125 Watts Max
Control Power Input	N/A	12 VDC @ 15 Amps Max	12 VDC @ 15 Amps Max

*Spool-up time and operating power may vary depending on operating conditions.



SEAKEEPER 4

~38-44' (11.5 - 13.5 meters)

up to ~16 tons



SEAKEEPER 4.5

~40-46' (12 - 14 meters)

up to ~18 tons



SEAKEEPER 6

~44-53' (13.5 - 16 meters)

up to ~25 tons

Dimensions	26.56 L x 28.05 W x 20.15 H (inches) 0.675 L x 0.713 W x 0.512 H (meters)	26.56 L x 28.05 W x 20.15 H (inches) 0.675 L x 0.713 W x 0.512 H (meters)	30.09 L x 29.72 W x 24.47 H (inches) 0.764 L x 0.755 W x 0.621 H (meters)
Weight	746 lbs (338 kg)	736 lbs (333.8 kg)	870 lbs (395 kg)
Max Rated Speed	8,250 RPM	9,300 RPM	9,700 RPM
Angular Momentum at Max Rated RPM	4,000 N-M-S	4,500 N-M-S	6,000 N-M-S
Anti-Rolling Torque at Max Rated RPM	10,427 N-M	11,780 N-M	15,690 N-M
Spool-up Time to Max Rated RPM*	59 minutes (8,250 RPM)	35 minutes (9,300 RPM)	42 minutes (9,700 RPM)
Spool-up Time to Stabilization*	32 minutes (6,188 RPM)	19 minutes (6,975 RPM)	28 minutes (8,245 RPM)
Spool-up Power	1,050 Watts Max @ 12 VDC	1,950 Watts Max	2,300 Watts Max
Operating Power*	550 - 1,050 Watts	950 - 1,600 Watts	1,100 - 2,300 Watts
DC Power Input	46 - 88 Amps @ 12 VDC	20 Amps @ 208 - 230 VAC, 50/60 Hz	20 Amps @ 208 - 230 VAC, 50/60 Hz
Control Power	120 Watts Max	120 Watts Max	125 Watts Max
Control Power Input	12 VDC @15 Amps Max	12 VDC @15 Amps Max	12 VDC @ 15 Amps Max

SEAKEEPER SPECS



SEAKEEPER 9



SEAKEEPER 10.5



SEAKEEPER 14

Boat Size Range

~50-60' (15 - 18 meters)

~50-62' (16 - 19 meters)

~55-68' (17 - 20 meters)

Boat Weight

up to ~32 tons

up to ~36 tons

up to ~45 tons

Dimensions	33.5 L x 35.6 W x 28.3 H (inches) 0.85 L x 0.90 W x 0.72 H (meters)	30.95 L x 34.88 W x 23.78 H (inches) 0.786 L x 0.886 W x 0.604 H (meters)	34.62 L x 37.24 W x 26.95 H (inches) 0.879 L x 0.946 W x 0.685 H (meters)
Weight	1,210 lbs (550 kg)	1,246 lbs (565 kg)	1,650 lbs (748 kg)
Max Rated Speed	9,000 RPM	8,700 RPM	7,600 RPM
Angular Momentum at Max Rated RPM	9,000 N-M-S	10,500 N-M-S	14,000 N-M-S
Anti-Rolling Torque at Max Rated RPM	18,890 N-M	27,490 N-M	36,650 N-M
Spool-up Time to Max Rated RPM*	55 minutes (9,000 RPM)	50 minutes (8,700 RPM)	44 minutes (7,600 RPM)
Spool-up Time to Stabilization*	38 minutes (7,650 RPM)	31 minutes (6,525 RPM)	24 minutes (5,700 RPM)
Spool-up Power	3,000 Watts Max	3,500 Watts Max	3,700 Watts Max
Operating Power*	1,250 - 2,000 Watts	1,100 - 2,800 Watts	1,000 - 3,000 Watts
DC Power Input	20 Amps @ 208 - 230 VAC, 50/60 Hz	20 Amps @ 208 - 230 VAC, 50/60 Hz	20 Amps @ 208 - 230 VAC, 50/60 Hz
Control Power	240 Watts Max	240 Watts Max	240 Watts Max
Control Power Input	24 VDC @ 10 Amps Max	24 VDC @ 10 Amps Max	24 VDC @ 10 Amps Max

*Spool-up time and operating power may vary depending on operating conditions.



SEAKEEPER 18

SEAKEEPER 26

SEAKEEPER 40

Boat Size Range

~60-75' (18.5 - 23 meters)

~70-85' (21.5 - 26 meters)

~85-110' (26 - 33 meters)

Boat Weight

up to ~60 tons

up to ~75 tons

up to ~120 tons

Dimensions	42.5 L x 43.2 W x 33.6 H (inches) 1.078 L x 1.096 W x 0.854 H (meters)	50.8 L x 55.9 W x 39.4 H (inches) 1.289 L x 1.419 W x 1.0 H (meters)	54.3 L x 55.9 W x 40.6 H (inches) 1.38 L x 1.42 W x 1.04 H (meters)
Weight	2,460 lbs (1,116 kg)	3,155 lbs (1,431 kg)	4,074 lbs (1,848 kg)
Max Rated Speed	6,150 RPM	5,000 RPM	5,150 RPM
Angular Momentum at Max Rated RPM	18,000 N-M-S	26,000 N-M-S	40,000 N-M-S
Anti-Rolling Torque at Max Rated RPM	47,881 N-M	68,703 N-M	104,720 N-M
Spool-up Time to Max Rated RPM*	42 minutes (6,150 RPM)	75 minutes (5,000 RPM)	70 minutes (5,150 RPM)
Spool-up Time to Stabilization*	31 minutes (5,228 RPM)	55 minutes (4,250 RPM)	49 minutes (4,378 RPM)
Spool-up Power	3,700 Watts Max	3,000 Watts Max	5,000 Watts Max
Operating Power*	1,425 - 3,700 Watts	1,375 - 3,000 Watts	1,900 - 4,400 Watts
DC Power Input	30 Amps @ 208 - 230 VAC, 50/60 Hz	20 Amps @ 208 - 230 VAC, 50/60 Hz	30 Amps @ 208 - 230 VAC, 50/60 Hz
Control Power	240 Watts Max	240 Watts Max	240 Watts Max
Control Power Input	24 VDC @ 10 Amps Max	24 VDC @ 10 Amps Max	24 VDC @ 15 Amps Max

STUFF HAPPENS!

But that's why you have a warranty

All of Seakeeper's products come with a two-year/2,000-hour complete system warranty.

View warranty details at:
seakeeper.com/warranty



Register Your Seakeeper
for Greater Rewards

The first step to receiving any service or support is to register your Seakeeper. Plus, we'll send you a gift as a thank you for being a part of the Seakeeper family!

Register your Seakeeper at seakeeper.com/register

SEAKEEPER EXTENDED WARRANTY

Our extended warranty program provides you with an added peace of mind and reliable service beyond the duration of your standard factory warranty.

Extended warranty coverage is available for customers currently within their factory warranty period.

	SILVER	GOLD	PLATINUM
Extended Duration	+2 years	+2 years	+3 years
Extended SEA Hours (Active Stabilization)	--	+1,000 SEA Hours	+2,000 SEA Hours
Total Coverage	4 years / 2,000 SEA Hours	4 years / 3,000 SEA Hours	5 years / 4,000 SEA Hours



REDUCE. REUSE. REMANUFACTURE.



Seakeeper's remanufactured product benefits are two-fold:

- You get a Seakeeper for less.
- We reuse materials and keep used parts out of landfills.

Plus, we test and certify all Seakeeper remanufactured products through the same rigorous process we put new units through, and each comes with a new 2-year/2,000-hour warranty. That's the same warranty we provide on our new products.



Seakeeper Remanufactured Inventory

Remanufactured inventory, offered at a discount, is limited and ever-changing. Contact Seakeeper to get on a wait list for the next available model.

seakeeper.com/remanufactured



**40%
OFF**

TRADE-IN & SAVE

Trade in your current Seakeeper
for up to 40% off a new unit!

seakeeper.com/trade-in



- Seakeeper Office Locations
- Exclusive Distributors
- Dealers

**300+
DEALERS**

A NETWORK THAT WORKS FOR YOU

With certified sales and service personnel across the globe, there's always a helping hand nearby when you need it. All dealers go through an extensive Seakeeper factory training program, including hands-on training at one of our two training facilities. So, whether you're considering a refit, scheduling annual maintenance, or experiencing a technical issue, Seakeeper's support network has you covered.

Find a dealer at



TECHNICAL SUPPORT

+1-410-326-1590

support@seakeeper.com

We stand behind our product with a global support network and a 24/7 technical support hotline.





SEAKEEPER SCHEDULED MAINTENANCE PLAN

Seakeepers are designed to require minimal maintenance since most of the critical components operate in a sealed enclosure, protected from the corrosive moisture involved with life on the water. Outside of the sphere, the closed-loop hydraulic circuit and the cooling circuit should be periodically inspected.

Every 150 Hours or 3 Months

Replace Zinc Anode (Seakeeper 5, 6, 9, 16, 18, 26, 35, and 40)

Every 1000 Hours or Annually

Inspect hydraulic manifold components and fittings

Inspect hydraulic cylinders and hoses

Inspect brake bushings

Inspect heat exchanger and cooling hoses

Inspect all electrical connections, cables, components

Inspect all mounting hardware/bolts

Inspect isolators, clevis assemblies, bushings, pins & clips (Seakeeper 26, 35, and 40)

Clean/Descale heat exchanger

Confirm proper seawater flow

Confirm hydraulic oil pressure (Seakeeper 2, 3, 5, 6, 9, 16, 18, 26, 35, and 40)*

Inspect and lubricate the latch assembly (Seakeeper 1)*

Every 2000 Hours

Inspect the Igus chain assembly (Seakeeper 1)*

Flush the glycol cooling circuit (Every 2000 hours or 5 Years)*

Replace brake bushings*

Replace heat exchanger*

Replace the latch assembly (Seakeeper 1)*

*These tasks must be performed by a certified Seakeeper Dealer. Find a local Dealer at www.seakeeper.com/find-us.

Perform the Recommended Maintenance after the indicated number of Running [RUN] hours or Years since last maintenance, whichever occurs first.

The single cylinder hydraulic brake systems on the Seakeeper 1, 4, 4.5, 10.5, and 14 require minimal service with only an inspection every 12 months, and a bushing replacement every 2000 hours.

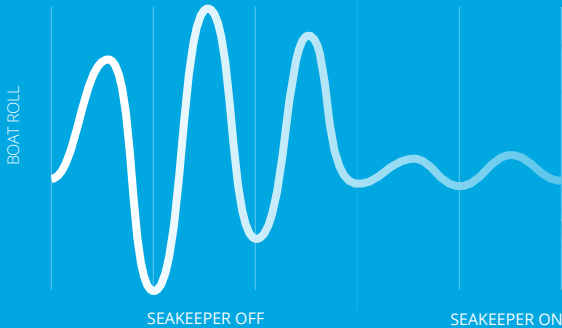
Seakeepers are designed for use in a marine environment and to withstand occasional water spray or splash. Prolonged exposure to seawater, however, can cause premature wear and damage to the unit; therefore, it is important to apply a gentle fresh water rinse following exposure to seawater. https://www.seakeeper.com/wp-content/uploads/2019/04/SB_90106-2-Fresh-Water-Rinse-1.pdf

The service intervals are based on 'average' use, including operating in various Sea conditions, such as zero or low-speed usage in/around marinas and anchorages vs. different speeds while underway in light of heavy sea conditions. If the customer's normal operating conditions include extended SEA operation, more frequent service should be considered.

IT'S ALL ABOUT PERFORMANCE

There's a reason you choose Seakeeper, and it's because it works. But you don't have to just take our word for it, we created a library of sea trial reports that show real, measurable results of Seakeeper on hundreds of boats.

seakeeper.com/performance



ONCE YOU YOU'LL NEVER BOAT WITH

VISIT
TWINDISC.COM.AU
TO SCHEDULE A DEMO &
FIND A DEALER NEAR YOU

**FEEL IT,
OVER
HOUT IT.**

We've heard thousands of "wows" as people have experienced Seakeeper for the first time. We have no doubt that you'll believe it too - once you feel it. So, what are you waiting for? Schedule your Seakeeper demo today!



71 % OF
OUR



IS COVERED BY **WATER**. WE WANT
EVERYONE TO **MAKE THE MOST OF IT.**



TWIN DISC (PACIFIC) PTY LTD
70B TRADECOAST DRIVE, EAGLE FARM QLD, 4009
PHONE: 07 32651200 TWINDISC.COM.AU